

D7044



Fire Systems

SEG MIL DISTRIBUIDORA

(47) 3434-1000

www.segmil.com.br

The logo for Segmil, featuring the word 'segmil' in a green, lowercase, sans-serif font with a registered trademark symbol. A green arc is positioned above the letters 'e' and 'g'.

Installation Instructions

Multiplex Single Input
Module

SEG MIL DISTRIBUIDORA

(47) 3434-1000

www.segmil.com.br


The logo for Segmil, featuring the word 'segmil' in a green, lowercase, sans-serif font with a registered trademark symbol. A green arc is positioned above the letters 'e' and 'g'.

BOSCH


Notices

These instructions cover the installation of the D7044 Multiplex Single Input Module in a fire system, supervised by a D7024 or DS9400M Fire Alarm Control Panel (FACP) with firmware revision 2.0 or greater and a D7039 or DS9431 Multiplex Expansion Module.

Install, test, and maintain the D7044 according to these instructions, NFPA 72, Local Codes, and the Authority Having Jurisdiction (AHJ).



Follow the procedures in these instructions to avoid personal injury and damage to the equipment. Failure to follow the procedures can result in the D7044 not operating properly. Bosch is not responsible for improperly installed, tested, or maintained devices.

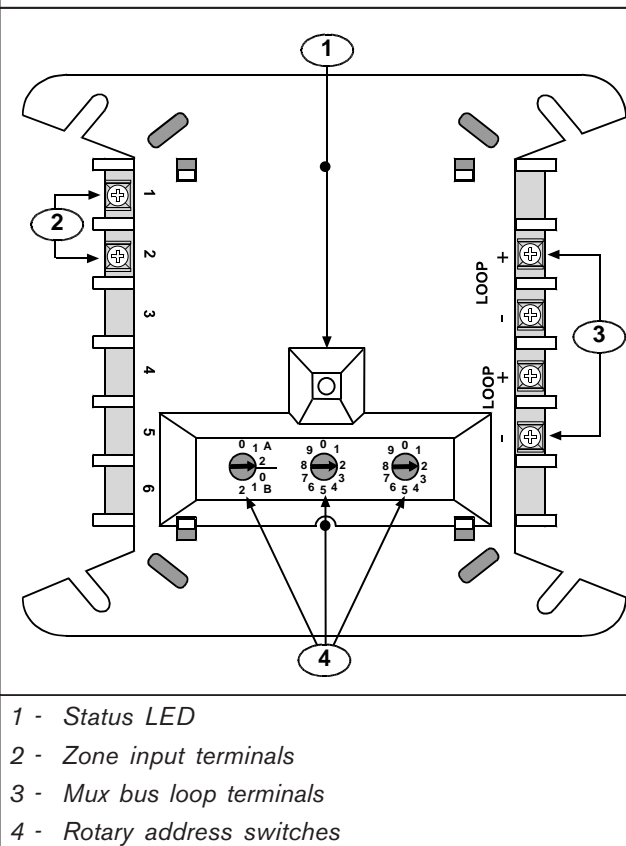


Test the FACP according to NFPA 72.

1.0 Description

The D7044 (*Figure 1*) is a general purpose device that connects a contact device to the FACP multiplex bus with a supervised input loop.

Figure 1: D7044 Features



All operating power for the D7044 is drawn from the FACP.

Rotary switches provide convenient address setting.

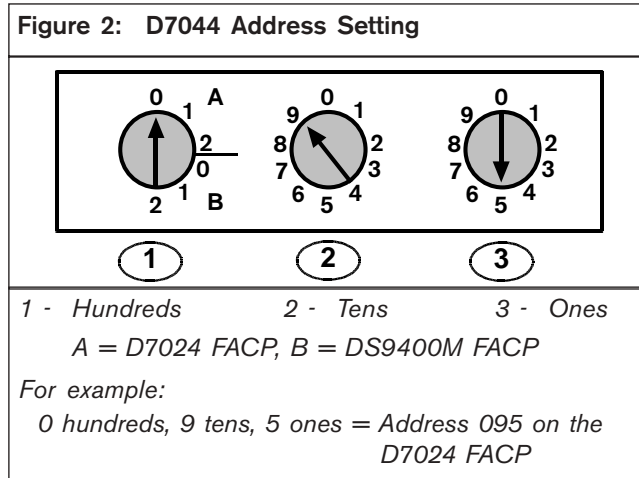
An on-board Status LED, visible through the faceplate, indicates normal operation and communication with the control panel. The LED flash rates are:

- **Fast:** Approximately 4 sec indicating an alarm condition.
- **Medium:** Approximately 8 sec indicating normal operation.
- **Slow:** Approximately 16 sec indicating a trouble condition.

The D7044 can be mounted in a standard double-gang or a 4 in. x 4 in. electrical box.

2.0 Setting the Address

Set the D7044 address using a flat-bladed screwdriver to position each rotary switch located on the front of the module (*Figure 2*). Note that the switches click when turned.



The valid D7044 address range is 9 to 255. Refer to the *D7024 Operation and Installation Guide* (P/N: 31499) or the *DS9400M Reference Guide* (P/N: 44578) for additional address limitations.

The A address range works on the D7039 Multiplex Expansion Module with the D7024 FACP. The B address range works on the DS9431 Multiplex Expansion Module with the DS9400M FACP.

Figure 2 shows the A address range set at 095, allowing the D7039 to work with the D7024 FACP.

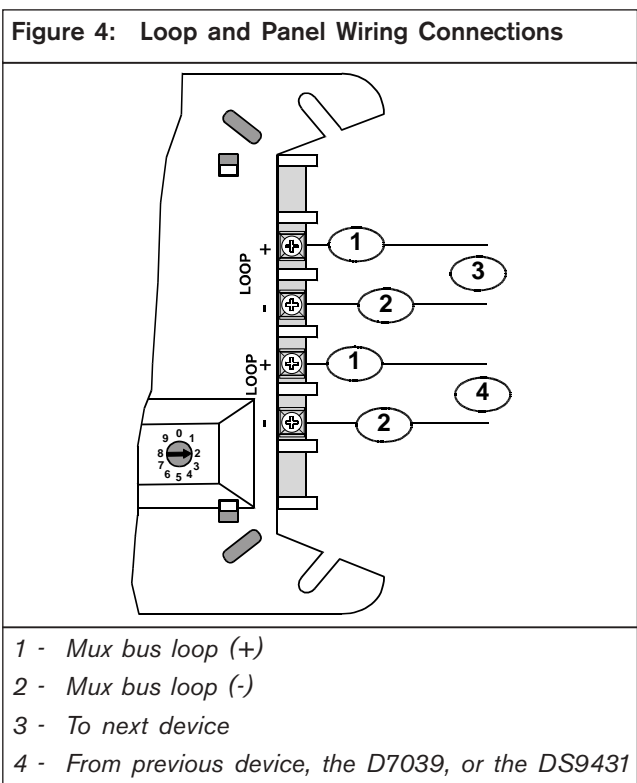
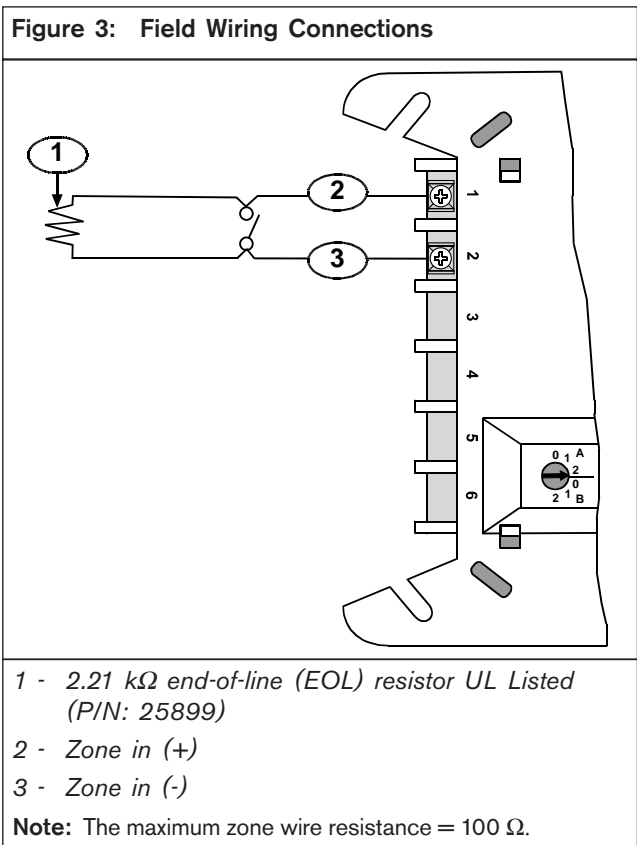
3.0 Wiring

Ensure all power is removed before making electrical connections. Failure to do so can result in personal injury and damage to the equipment.

Connections are made using the terminals on either side of the D7044 (*Items 2 and 3 in Figure 1* on page 2). All terminals can accommodate up to and including 12 AWG (2.3 mm) wire. Follow the wiring guidelines as specified by NFPA-70 and the local AHJ.

All wiring is power limited and supervised. Refer to *Figures 3 and 4* for the two types of wiring connections.

Use normally-open (NO) contacts for Underwriters Laboratories, Inc. (UL) Listed fire installations.



SEGMIL DISTRIBUIDORA
 (47) 3434-1000
 www.segmil.com.br

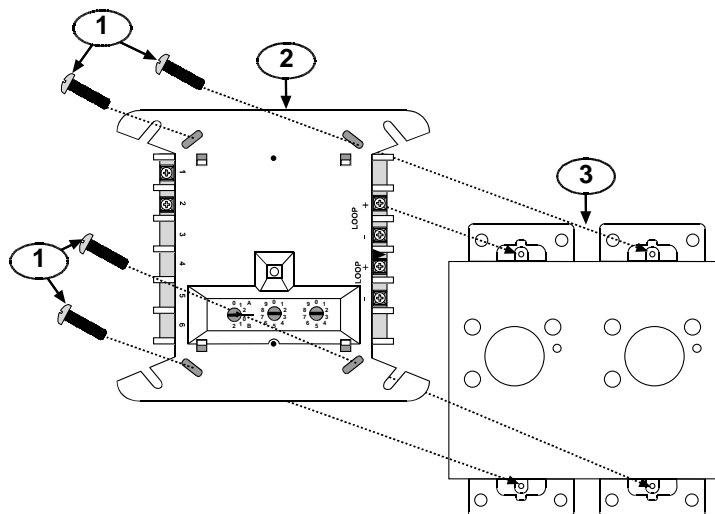
4.0 Installation



Complete all wiring before mounting the D7044 and faceplate.

1. Wire the D7044 according to *Figures 3 and 4* on page 3.
2. Mount the D7044 on a standard double-gang box (*Figure 5*) or 4 in. x 4 in. electrical box (*Figure 6*).

Figure 5: Mounting the D7044 on a Double-Gang Box

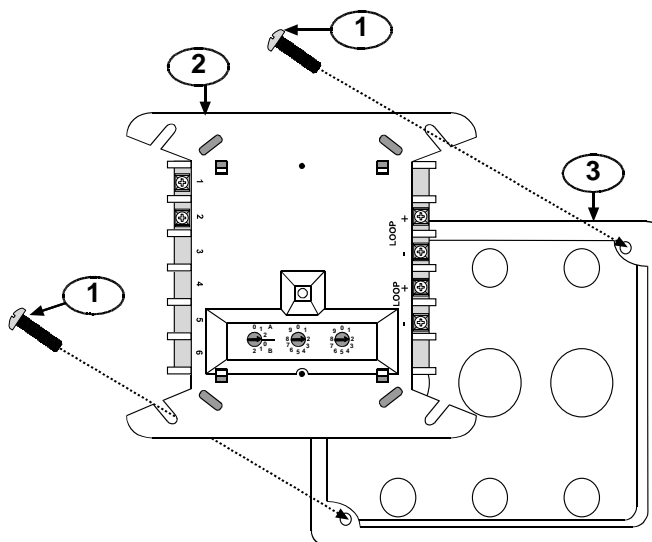


1 - Supplied mounting screws (4)

2 - D7044 Module

3 - Double-gang box

Figure 6: Mounting the D7044 on an Electrical Box



1 - Supplied mounting screws (2)

2 - D7044 Module

3 - 4 in. x 4 in. electrical box

SEGMIL DISTRIBUIDORA

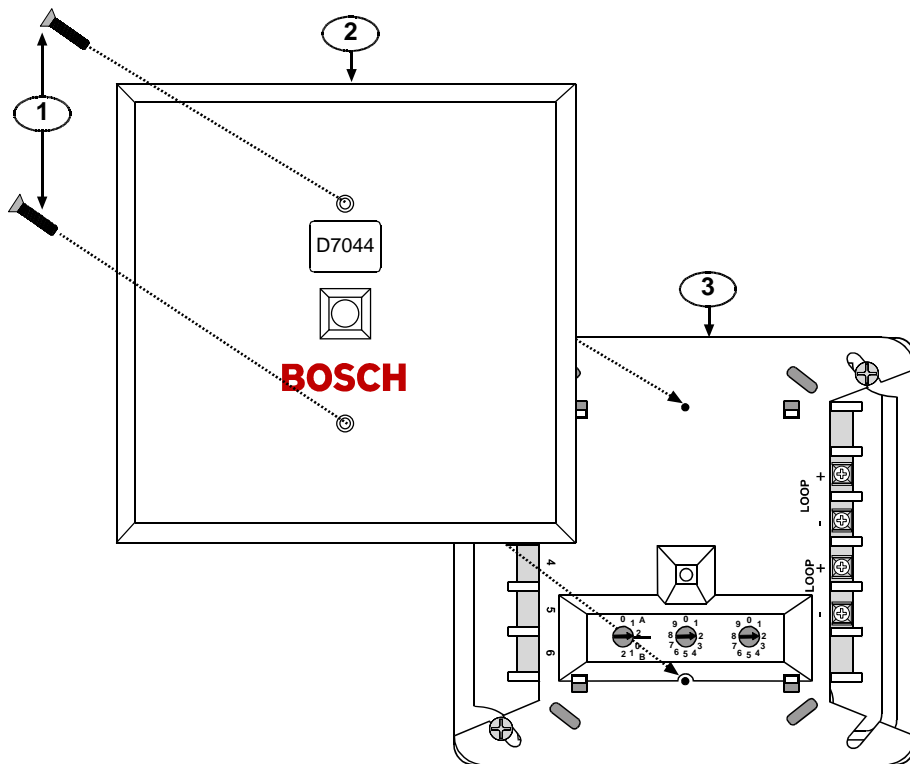
(47) 3434-1000

www.segmil.com.br



3. Secure the faceplate to the front of the D7044 (Figure 7).

Figure 7: Mounting the Faceplate



1 - Supplied mounting screws (2)

2 - Faceplate

3 - D7044 Module on electrical box

SEGMIL DISTRIBUIDORA

(47) 3434-1000

www.segmil.com.br

segmil[®]

5.0 Specifications

Table 1: Specifications	
Control Panel Programming Type	Single input
Control Panel Requirements	D7024 FACP with ROM version 2.0 or greater and a D7039 Multiplex Expansion Module installed. Refer to the <i>D7024 Operation and Installation Guide</i> (P/N: 31499) or the <i>DS9400M Reference Guide</i> (P/N: 44578) for specific programming information. Refer to the <i>D7039 Installation Instructions</i> (P/N: 38685) or the <i>DS9431 Installation Instructions</i> (P/N: 41381) for multiplex wiring information.
Multiplex Bus Average Current Draw	Alarm: 550 μ A Standby: 550 μ A Nominal: 12 V
Operating Temperature	+32°F to +120°F (0°C to +49°C)
Relative Humidity	Maximum of 93%, non-condensing
Listings and Approvals	UL 864 California State Fire Marshall (CSFM)

SEGMIL DISTRIBUIDORA

(47) 3434-1000

www.segmil.com.br



Notes

SEGMIL DISTRIBUIDORA
(47) 3434-1000
www.segmil.com.br



SEGMIL DISTRIBUIDORA

(47) 3434-1000

www.segmil.com.br



Bosch
130 Perinton Parkway
Fairport, NY 14450-9199 USA
Customer Service: (800) 289-0096
Technical Support: (888) 886-6189

© 2004 Bosch
48337D



BOSCH