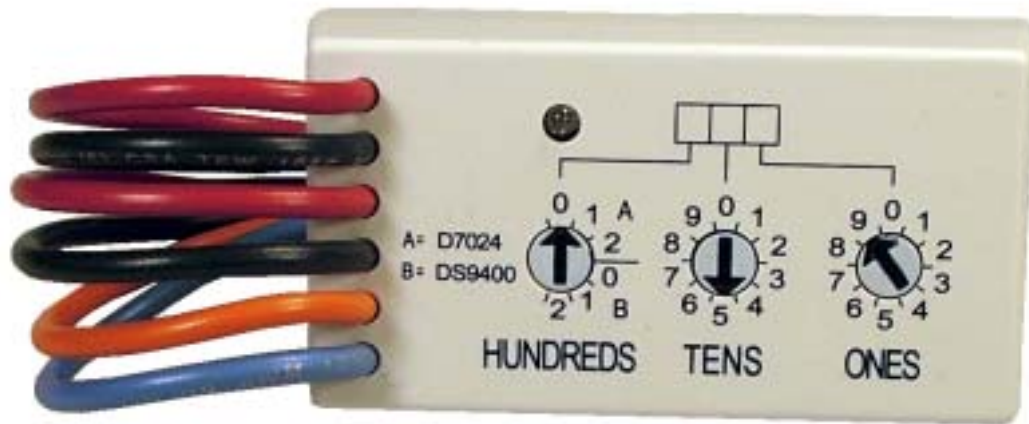


D7044M



Fire Systems

SEGMIL DISTRIBUIDORA

(47) 3434-1000

www.segmil.com.br

segmil[®]

Installation Instructions
Multiplex Mini Single
Input Module

SEGMIL DISTRIBUIDORA

(47) 3434-1000

www.segmil.com.br


segmil[®]


BOSCH

Notices

These instructions cover the installation of the D7044M Multiplex Mini Single Input Module in a fire system supervised by a D7024 or DS9400M Fire Alarm Control Panel (FACP) with firmware revision 2.0 or greater and a D7039 or DS9431 Multiplex Expansion Module.

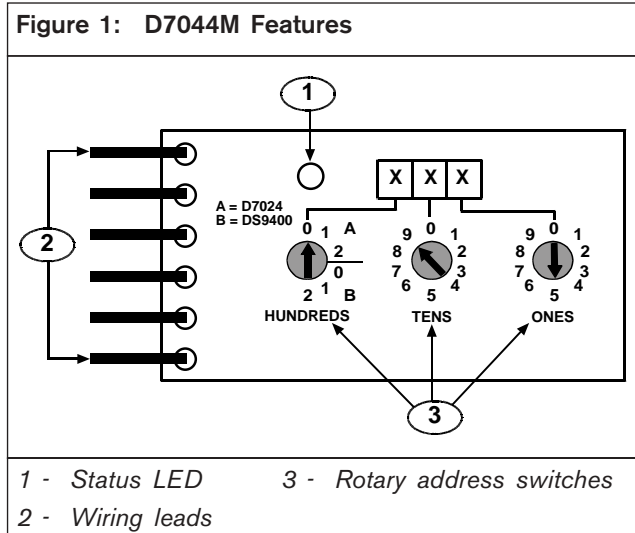
Install, test, and maintain the D7044M according to these instructions, NFPA 72, local codes, and the Authority Having Jurisdiction (AHJ).

 Follow the procedures in these instructions to avoid personal injury and damage to the equipment. Failure to follow these procedures can cause the D7044M to not operate properly. Bosch is not responsible for improperly installed, tested, or maintained devices.

 Test the FACP according to NFPA 72.

1.0 Description

The D7044M (Figure 1) is a general purpose module that connects a contact device to the FACP's multiplex bus with a supervised input loop. All operating power for the D7044M is drawn from the FACP.



Rotary switches (Item 3 in Figure 1) provide convenient address setting.

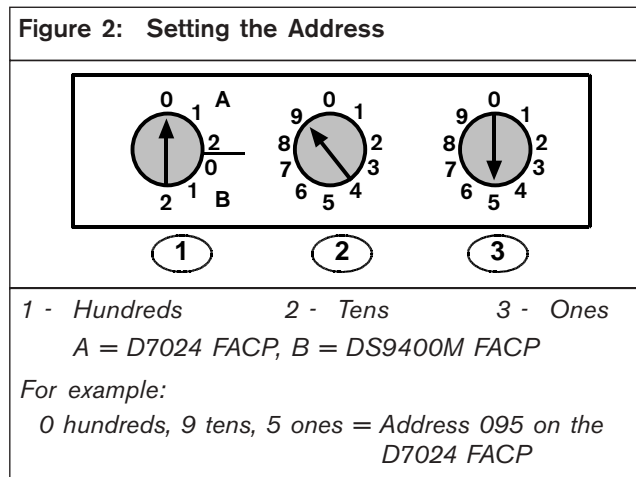
An on-board Status LED, visible through the faceplate, indicates normal operation and communication with the control panel. The LED flash rates are:

- **Fast:** Approximately 4 sec indicating an alarm condition
- **Medium:** Approximately 8 sec indicating normal operation
- **Slow:** Approximately 16 sec indicating a trouble condition

The D7044M can be inserted in a standard single-gang electrical box.

2.0 Setting the Address

Set the D7044M address using a single point screwdriver to position each rotary switch located on the front (Figure 2). Note that the switches click when turned.



The valid D7044M address range is 9 to 255. Refer to the *D7024 Operation and Installation Guide* (P/N: 31499) or the *DS9400M Reference Guide* (P/N: 44578) for additional address limitations.


 The A address range works on the D7039 Multiplex Expansion Module with the D7024 FACP. The B address range works on the DS9431 Multiplex Expansion Module with the DS9400M FACP.

Figure 2 shows the A address range set at 095, allowing the D7039 to work with the D7024 FACP.

3.0 Wiring



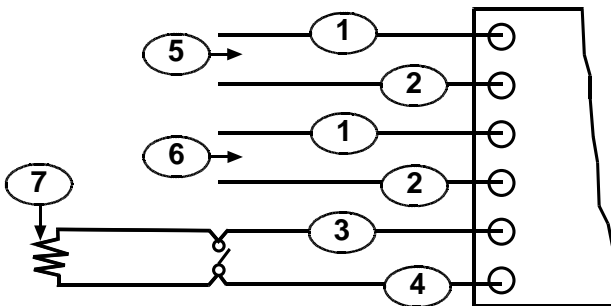
Remove all power before making electrical connections. Failure to do so can result in personal injury and damage to the equipment.



Use normally-open (NO) contacts for Underwriters Laboratories, Inc. (UL) Listed fire installations.

The control panel loop and field wiring connections are made using the flying wire leads on the D7044M (Figure 3). All wiring is power limited and supervised.

Figure 3: Field Wiring Connections



- 1 - MUX bus loop (+), red
- 2 - MUX bus loop (-), black
- 3 - Zone in (+) orange
- 4 - Zone in (-) blue
- 5 - To next device
- 6 - From previous device, the D7039, or the DS9431
- 7 - UL Listed 2.21 kΩ end-of-line (EOL) resistor (P/N: 25899)

4.0 Installation



Complete all wiring connections before inserting the D7044M into the single-gang box.

1. Install the D7044M into a single-gang box.
2. Place the D7044M inside the gang box and mount the gang box according to its mounting instructions.

5.0 Specifications

Table 1: Specifications	
Control Panel Programming Type	Single input
Control Panel Requirements	D7024 or DS9400M FACP with ROM version 2.0 or greater and a D7039 or DS9431 Multiplex Expansion Module installed. Refer to the <i>D7024 Operation and Installation Guide</i> (P/N: 31499) or the <i>DS9400M Reference Guide</i> (P/N: 44578) for specific programming information. Refer to the <i>D7039 Installation Guide</i> (P/N: 38685) or the <i>DS9431 Installation Guide</i> (P/N: 41381) for multiplex wiring information.
Multiplex Bus Average Current Draw	Alarm: 550 μA Standby: 550 μA Nominal: 12 V
Operating Temperature	+32°F to +120°F (0°C to +49°C)
Relative Humidity	93% non-condensing
Listings and Approvals	UL864 California State Fire Marshall (CSFM)

SEGMIL DISTRIBUIDORA
(47) 3434-1000
www.segmil.com.br

SEGMIL DISTRIBUIDORA

(47) 3434-1000

www.segmil.com.br

segmil[®]

Bosch

130 Perinton Parkway

Fairport, NY 14450-9199 USA

Customer Service: (800) 289-0096

Technical Support: (888) 886-6189

© 2004 Bosch
48488D



SEGMIL DISTRIBUIDORA

(47) 3434-1000

www.segmil.com.br

segmil[®]

BOSCH