

# FMM-7045, FMM-7045-D



**SEGMIL DISTRIBUIDORA**

(47) 3434-1000

[www.segmil.com.br](http://www.segmil.com.br)



Installation Instructions

Multiplex Addressable

Manual Pull Stations

**SEGMIL DISTRIBUIDORA**

(47) 3434-1000

[www.segmil.com.br](http://www.segmil.com.br)





**BOSCH**

## 1.0 Description

These instructions cover the installation of Bosch FMM-7045 (Single Action)/FMM-7045-D (Dual Action) Multiplex (single-action) Multiplex Addressable Pull Station in a fire system supervised by a Bosch D7024 Series or DS9400 Series Fire Alarm Control Panel (FACP) with firmware revision 2.0 or greater and a D7039 or DS9431 Multiplex Expansion Module.

Install, test and maintain the FMM-7045/FMM-7045-D according to these instructions, NFPA 72, Local Codes and the Authority Having Jurisdiction (AHJ). Failure to follow these instructions may result in failure of the device to operate properly. Bosch is not responsible for improperly installed, tested or maintained devices.

 These instructions contain procedures to follow in order to avoid personal injury and damage to equipment.

 NFPA 72 requires a complete system-wide functional test be performed following any modifications, repair, upgrades or adjustments made to the system's components, hardware, wiring, programming and software/firmware.

The FMM-7045/FMM-7045-D Multiplex Addressable Manual Pull Station is a UL Listed fire alarm initiating device. It can be connected along with other Multiplex devices on the D7039/DS9431 Multiplex Expansion Module.

The D7024/DS9400 Series FACP supervises the entire multiplex loop, including the FMM-7045/FMM-7045-D, for troubles, alarms and ground fault conditions. Since the FMM-7045/FMM-7045-D occupies only one address on the multiplex bus, the module can be addressed for any point within the 9 to 255 range allowed by the D7039/DS9431 Multiplex Expansion Module.

The FMM-7045/FMM-7045-D is generally installed near building exits such as stairways and doors, allowing persons evacuating the building to activate the fire alarm. It is equipped with glass break rods and a pull handle that locks in the activated position, to allow easy identification of alarm activation point.

## 2.0 Installation

### 2.1 Operation

The FMM-7045/FMM-7045-D (single-action) Multiplex Addressable Manual Pull Station is a UL Listed fire alarm initiating device with a multiplex input module connected to each pull station.

Rotary switches are provided for convenient address setting. These switches eliminate the need for an external programmer.

The FMM-7045/FMM-7045-D is a single-action device with a white pull-down lever in its center. The lever is easily accessible to persons standing or in wheelchairs. Pulling down on the lever breaks the glass rod. The lever then latches in the down position and activates the multiplex point, which then trips the fire alarm control panel (FACP).

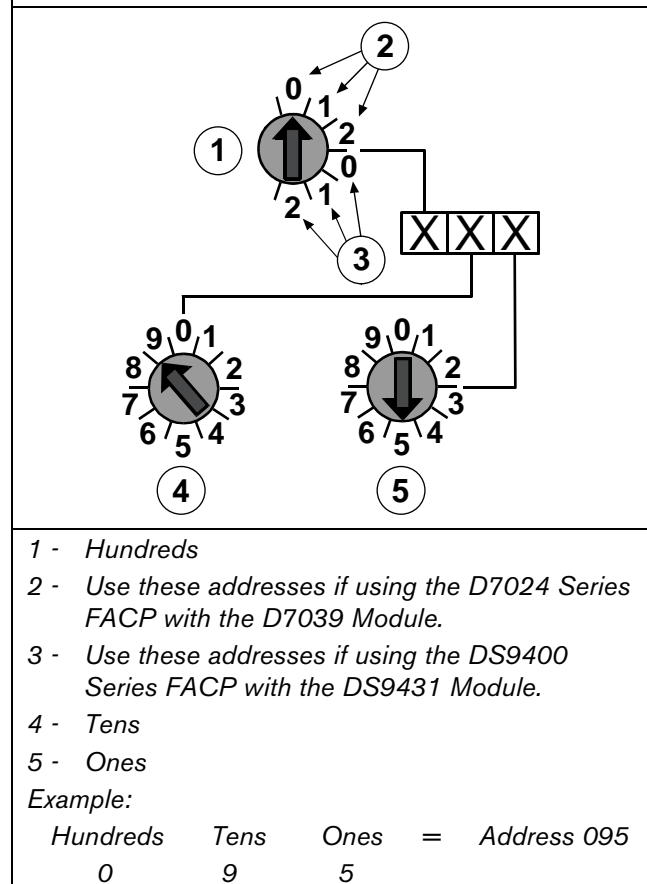
The lever cannot be reset until the proper key is inserted in the lock. This feature allows emergency personnel to determine the source of the alarm.

### 2.2 Setting the address

The FMM-7045/FMM-7045-D's address is set by positioning three rotary switches located on the front side of the device. The switches click when turned. The valid address range is 9 to 255. Check with the control panel's operation and installation manual for additional address limitations.

Use a flat-bladed screwdriver to position each switch when setting the FMM-7045/FMM-7045-D's address. See *Figure 1* for details.

**Figure 1: Setting the Address**



### 2.3 Wiring



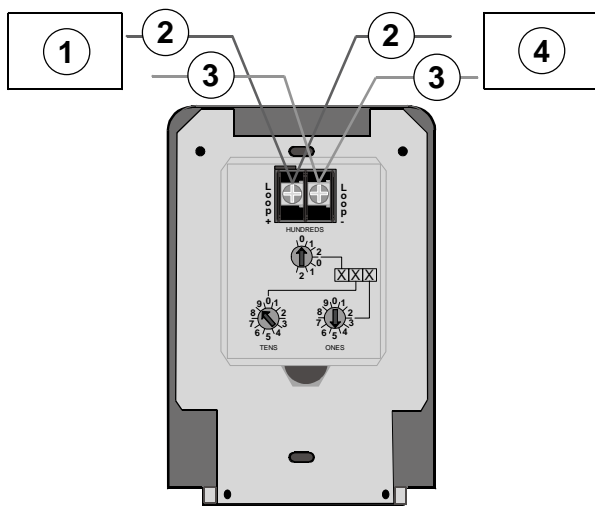
Make sure all power is removed before making any electrical connections. Failure to do so may result in personal injury and/or damage to equipment.

Run all wires and make all connections before mounting the FMM-7045/FMM-7045-D. All wiring is supervised and power limited. See *Figure 2* for details.



Do not loop wire around each terminal. Break terminal wire connections for supervision.

**Figure 2: Wiring the FMM-7045**



- 1 - Previous device or D7039/DS9431
- 2 - Loop (+)
- 3 - Loop (-)
- 4 - Other devices

### 2.4 Mounting

The FMM-7045/FMM-7045-D mounts to a 3 in. x 2 in. x 3½ in. device box (like a Steel City CXW) or a 4 in. x 2 1/8 in. square box with a 5/8 in. mud ring (like the Steel City 52171 box and 52-C-14-5/8 mud ring) with the two provided screws. The multiplex single zone input module should easily fit inside.

The back plate mounting holes on the FMM-7045/FMM-7045-D can be accessed by opening the key lock on the unit.



The FMM-7045/FMM-7045-D Pull Stations are for indoor use only. If a pull station is needed for outdoor use or in an unheated area, an FMM-100 Series Pull Station rated for the environment should be wired to a multiplex module within the interior of the building.

## 3.0 Specifications

**Table 1: Specifications**

Table 1: Specifications	
Panel Programming Type	Single Point
Control Panel Requirements	D7024 or DS9400 Series FACP (with ROM version 2.0 or greater and a D7039 or DS9431 Multiplex Expansion Module installed). Refer to the <i>D7024 Operation and Installation Guide</i> (P/N: 31499) or the <i>DS9400M/DS9400i Installation Guide</i> (P/N: 44578) for specific programming information. Refer to the <i>D7039 Installation Instructions</i> (P/N: 38685) or the <i>DS9431 Installation Instructions</i> (P/N: 41831) for multiplex wiring information.
Multiplex Bus Average Current Draw	Alarm: 0.55 mA Standby: 0.55 mA
Optional Equipment	Replacement Glass Break Rods (FMM-100GR)
Operating Temperature	+32°F to +120°F (0°C to +49°C) non-condensing RH
Listings and Approvals	UL864 CSFM
Nominal Bus Voltage	12 VDC

**SEGMIL DISTRIBUIDORA**

(47) 3434-1000

www.segmil.com.br



Bosch Security Systems, Inc.  
130 Perinton Parkway  
Fairport, NY 14450-9199  
Customer Service: (800) 289-0096  
Technical Support: (888) 886-6189

**SEGMIL DISTRIBUIDORA**

(47) 3434-1000

[www.segmil.com.br](http://www.segmil.com.br)



© 2006 Bosch Security Systems, Inc.  
F01U001402C



Recyclable



**BOSCH**